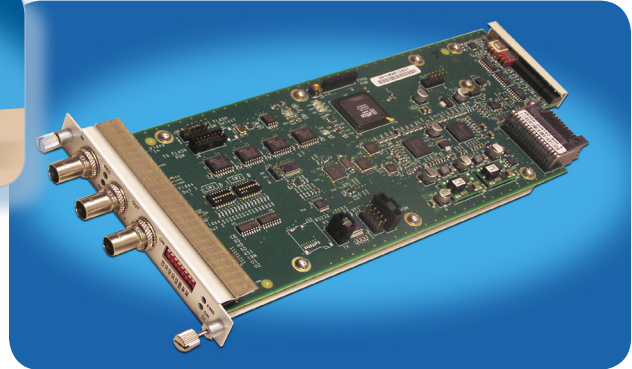


## DLT710

### DL4000 VIDEO TRANSPORT SYSTEM

### Multi-Format Digital Video Generator and Test Module



### Features

#### Single-module provides generation and verification for:

- 2.97Gb/s 3G-SDI (SMPTE 424M)
  - 1080p/59.94
  - 1080p/50
- 1.485Gb/s HD-SDI (SMPTE 292M)
  - 1080i/59.94
  - 1080i/50
  - 720p/59.94
  - 720p/50
- 270Mb/s SD-SDI (SMPTE 259M)
  - 525i/59.94
  - 625i/50
- 270Mb/s DVB-ASI
- 19.39Mb/s ATSC (SMPTE 310M)

#### Video generator functions

- User selectable Rates and Formats
- SDI Color Bars or Pathological Test Signals both with Audio Tone
- Stored MPEG Video Stream
- Automatically sequences through all selected formats
- Output to two BNCs and Chassis Backplane

#### Video monitor functions

- Test for EDH, CRC
- Automatically detects input signal
- Tests DVB-ASI and SMPTE 310 Transport Streams
- DVB-ASI Inversion Detection
- Detects and verifies all selected formats
- Input from BNC or chassis backplane
- Indicates low-level or double terminated inputs

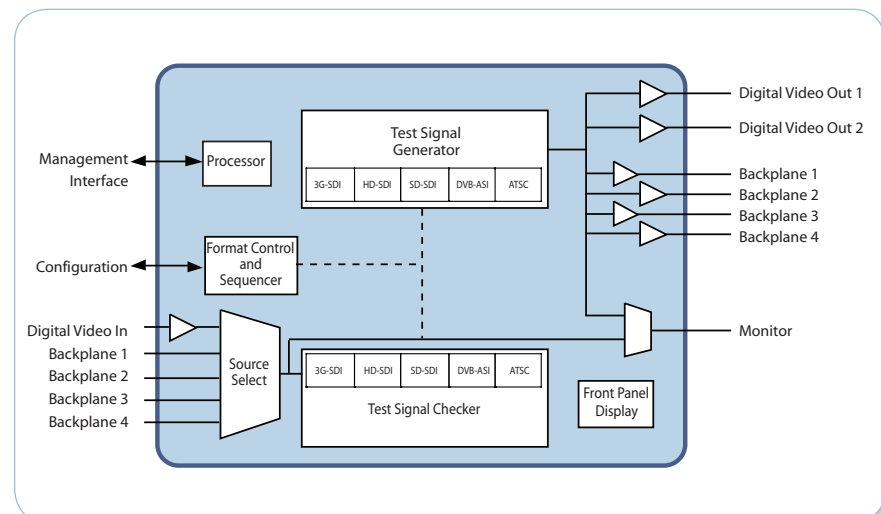
#### Remote management via DL-Manager™

- No external software required
- HTTP or SNMP v2c
- Configure, monitor
- Upgrade firmware
- Time-stamped event log

Artel's DLT710 is an innovative DL4000 based module for simple, automatic link verification of serial digital video formats. The single-module functions as both a signal generator and test monitor for 3G-SDI, HD-SDI, SD-SDI, DVB-ASI and ATSC and is ideal for automatic verification of single or multi-format video links.

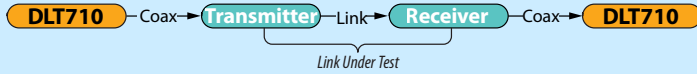
A universal digital video link test and verification module, the DLT710 provides complete, one-touch "go-no-go" performance testing for all common video rates and formats. Its unique design allows for one or more formats to be selected simultaneously enabling automatic verification of multi-format video links.

As a test signal generator, the DLT710 outputs a continuous video signal of a single selected format or a timed sequence through each selected format. When configured as a monitor for a single format it will continuously monitor live digital video and indicate rate and physical layer signal quality. With more than one format selected the module automatically verifies each rate has been received. With this unique multi-purpose module, verification of a multi-service video link can be performed in less than five minutes. The DLT710 is an ideal solution for link verification of digital video circuits.

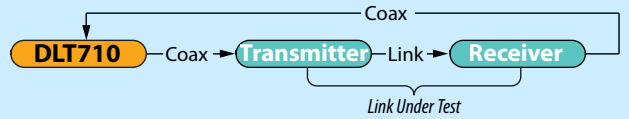


## DLT710 Applications

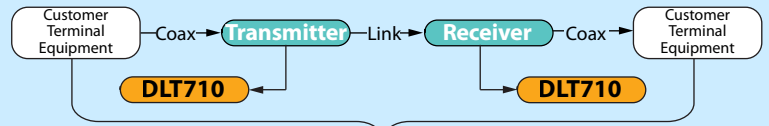
### Circuit Verification (one or more formats)



### Pre-Installation Equipment Verification (one or more formats)



### Installed Circuit Analysis with Logged Results



## Specifications

### Video Electrical Interface

Inputs	1 BNC 75ohm (panel) Other modules in DL4000/4300 chassis via backplane
Outputs	2 BNC 75ohm (panel) 1 mini 75ohm SMB (front panel) Other modules in DL4000/4300 chassis via backplane
Return loss (input, output, monitor)	> 15 dB 5-1485 MHz > 10 dB 1486-2970 MHz
Cable equalization for Belden 1694A	0 to 50 meters
Output amplitude	800mVP-p, ± 10%
Rise/fall time	
270Mb/s	800ps ±400
1.485Gb/s	< 135ps
2.970Gb/s	< 135ps
Generation frequency stability	± 2.5 ppm maximum
Output jitter*	
270Mb/s	< 500 ps p-p
1.485Gb/s	< 135 ps p-p
2.970Gb/s	< 101 ps p-p

\* Using color bars, per EG-33

### Environmental

Ambient storage temperature	-40 to 80°C
Ambient operating temperature of DL4000/4300 chassis	0 to 50°C
Relative humidity	10 to 95% (non-condensing)
Power dissipation	10 watts

### Physical

Dimensions	0.8" x 5" x 10.8"
	1 slot in DL4000 platform

### Regulatory Compliance

Compliance: CSA 60950, EN60950, EN55022, FCC Part 15 (Class A), CISPR 22

### Ordering Information

#### DLT710 Digital Video Generator and Test Module

Model	Description	Part #
DLT710	Multi-Format Digital Video Generator and Test Module	390-008150-00
DLK710	Multi-Format Digital Video Generator and Test Module Travel Kit	398-008150-00



#### DLK710 Kit Includes:

- DLT710 Multi-Format Digital Video Generator and Monitor
- DL4100 single slot chassis with external AC power supply
- 16.68" x 13.06" x 4.37" ruggedized travel case
- BNC to BNC monitor cable (2)
- BNC to mini-SMB monitor cable
- Screwdriver



Front panel



Rear panel includes electrical video and audio signal generator and checker, and format select switches