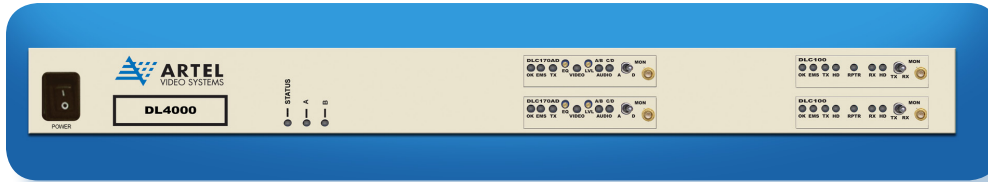


DLM010 and DLM020 Contact Alarm Modules

DL4000 VIDEO TRANSPORT SYSTEM



DLM020



Single card in either power supply or function module slot:

- Two three-terminal alarm relay contact closures—one each for Major and Minor Alarms
- Allows remote monitoring of DL4000 alarm conditions
- Can be wired as normally closed (NC), or normally open (NO)

DLM010



The DLM010 and DLM020 provide contact closure signaling of Major Alarm and Minor Alarm from the DL4000 chassis. The DLM010 occupies one power supply slot. The DLM020 occupies one function module slot.

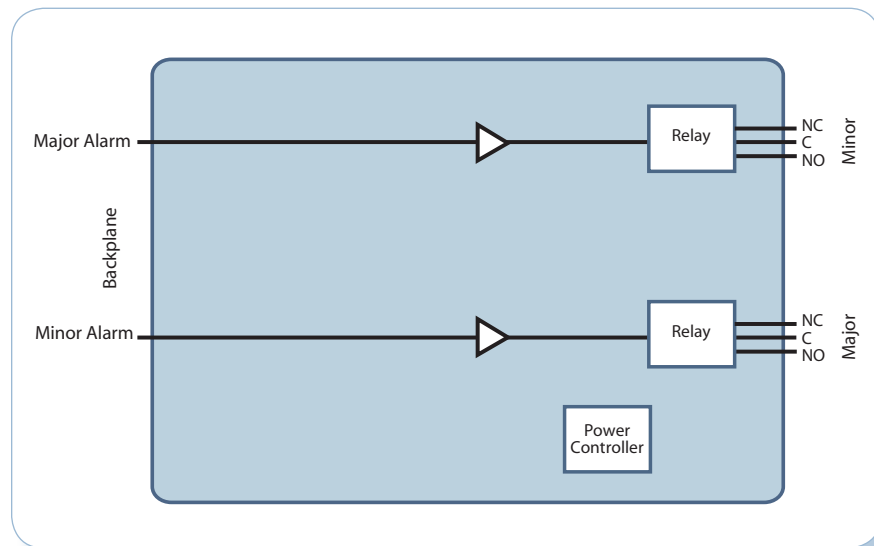
Specifications:

Inputs/Outputs

- Two-piece, six-terminal locking strip
- 48 VAC or 48 VDC @ 100mA
- Isolated from chassis
- 100 VDC maximum applied voltage

Regulatory Conformance

Compliance: NEBS Level 3, CSA 60950, EN60950, EN55022, FCC Part 15 (Class A), CISPR 22



Ordering Information

Model	Description	Part #
DLM010	Contact Alarm Module for Power Supply Slot	390-008008-00
DLM020	Contact Alarm Module for Function Modules Slot	390-008009-00