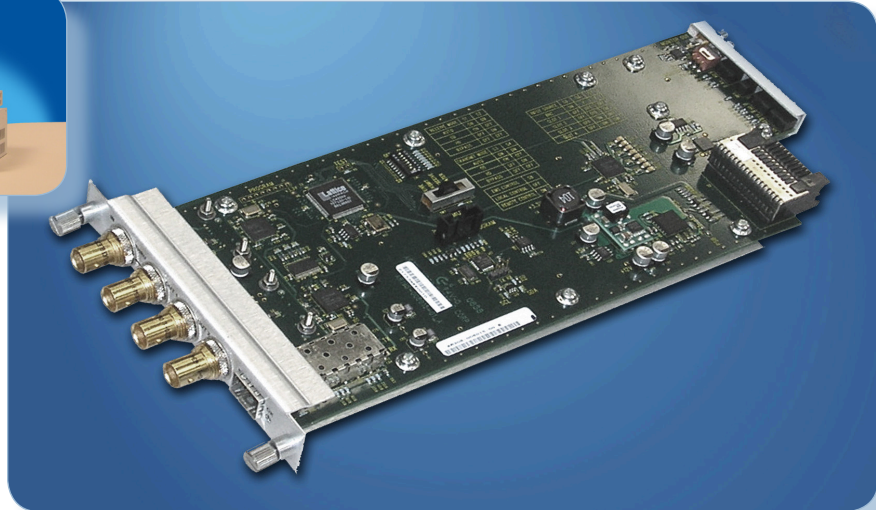


## DLC100

DL4000 VIDEO TRANSPORT SYSTEM

Multi-Rate, Multi-Function Digital Video Optical Transceiver/Repeater



### Features

#### Single Card Configurable as:

- Transmit (electrical to optical)
- Receive (optical to electrical)
- Bi-directional (independent transmit and receive)
- Repeat/Regenerate (optical to optical)

#### Automatic rate selection

#### Supports all digital formats

- 1.485Gb/s HD-SDI (SMPTE 292M)
- 270Mb/s
  - SD-SDI (SMPTE 259M-C, ITU 656)
  - SDTI (SMPTE 305M)
  - DVB-ASI
  - Artel 270
- 19.39Mb/s ATSC (SMPTE 310M)
- Internal switch selectable rate lockout

#### Externally Accessible SFP Transceiver Optics

- Optical budget to 34dB
- WDM (1310nm, 1550nm)
- CWDM ITU G.694.2 (Channels 27-61)

#### Inputs/Outputs

- Optical via SFPs
- Electrical input (1) and outputs (3) via 75ohmΩ BNC
- Input from and output to other modules in DL4000 Chassis (via backplane)

#### Multiple monitor options

- Front panel monitor selectable between optical input and optical output (Mini 75ohm SMB)
- Front and rear panel status LEDs

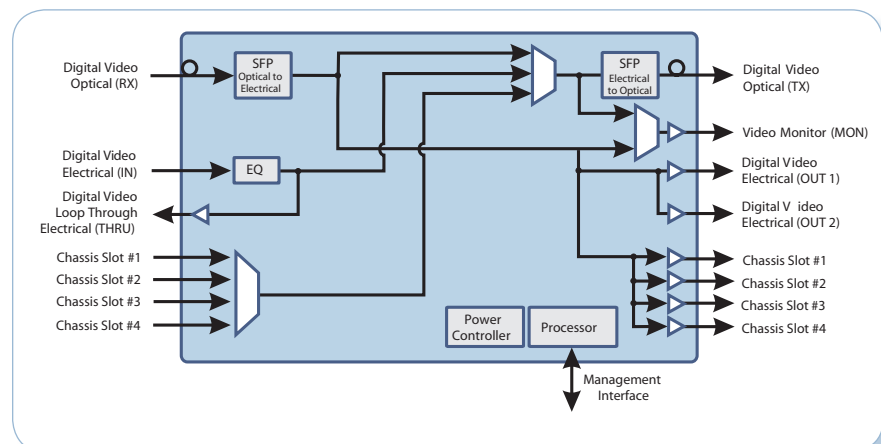
#### Remote Management via DL-Manager

- No external software required
- HTTP or SNMP v2
- Monitor
- Configure
- Upgrade firmware

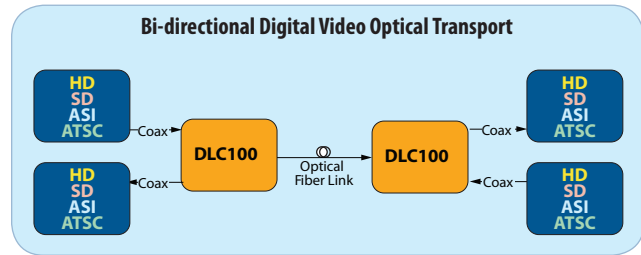
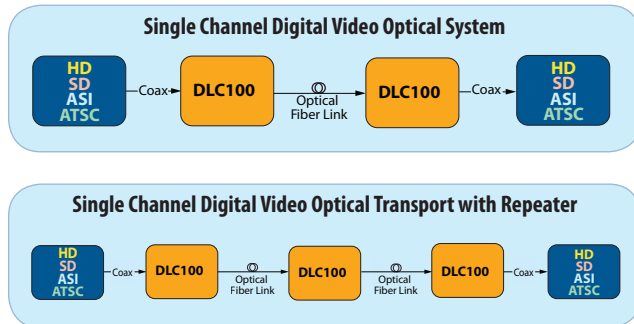
The DLC100 is a flexible, bi-directional fiber optic transport module for all digital video formats from 19.39Mb/s to 1.485Gb/s. The DLC100 supports all digital formats including compressed and uncompressed HDTV, SDI and DVB-ASI.

The DLC100 is unique in that one card can function as a transmitter, receiver, transceiver for bi-directional application or a repeater. This reduces inventory cost and simplifies deployment. The DLC100 provides 4 bi-directional multi-rate circuits in a single rack unit.

For additional flexibility the DLC100 uses industry standard 1310nm, 1550nm, and CWDM Small Form-Factor Pluggable (SFP) optics. Provisioning and monitoring is accomplished using switches, LEDs, dual front and back monitor jacks, SNMP or HTTP via DL-Manager.



## DLC100 Applications



## Specifications

### Environmental

Ambient Storage Temperature	-40 to 80°C
Ambient Operating Temperature of DL4000 Chassis	0 to 50°C
Relative Humidity	10 to 95% (non-condensing)
Power Dissipation	6W

### Physical

Dimensions	0.8" x 5" x 10.8"
1 slot in DL4000 chassis	

### Optical Interface

Artel Video SFP	See SFP Specification Sheet
-----------------	-----------------------------

### Electrical Interface

#### Signal Formats

- 1.485Gb/s
  - HD-SDI (SMPTE 292M)
- 270Mb/s
  - SD-SDI (SMPTE 259M-C, ITU 656)
  - SDTI (SMPTE 305M)
  - DVB-ASI
  - ARTEL 270
- 19.39Mb/s
  - ATSC (SMPTE 310M)

Signal Polarity	Non Inverting
Channels	1-transmit, 1-receive
Connectors	
Input (1)	BNC 75ohm
Loop Through (1)	BNC 75ohm
Output (2)	BNC 75ohm
Monitor	Mini 75ohm SMB
Return Loss	>15 dB, 5-1485 MHz
Cable Equalization for Belden 1694A type cable:	0 to 250 meters (270 Mb/s) 0 to 140 meters (1485 Mb/s)

### Regulatory Conformance

Compliance: NEBS Level 3, CSA 60950, EN60950, EN55022, FCC Part 15 (Class A), CISPR 22

### Ordering Information

#### DLC100 Function Module

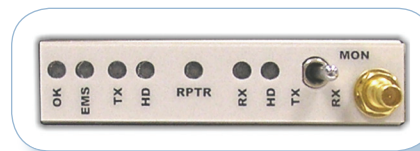
Model	Description	Part #
DLC100	DLC Multi-rate, multi-function Video Transceiver	390-008015-00

**SFP Optics** See Optics Compatibility Chart

#### Monitor Cable

Model	Description	Part #
DL100MC-72	Monitor Cable, Mini 75ohm SMB to BNC, 72"L	396-001001-00

Specifications are subject to change without notice.



Front panel monitoring and status displays



SFP Optics (Small Form-Factor Pluggable)



Rear panel includes electrical Input, loop thru, dual electrical outputs and SFP transceiver cage